

# *Procurement Readiness*

- Manufacturer Qualification
- Procurement Strategy
- Tendering Status



# Manufacturer Qualification (1)

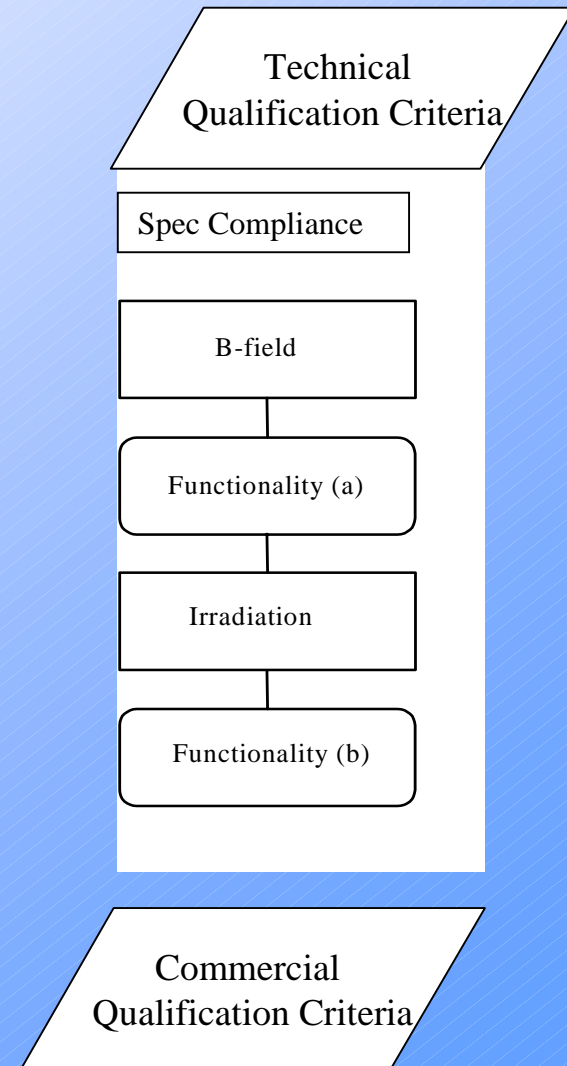
- Market Surveys for:

 Semiconductor Lasers

 Optical Connectors

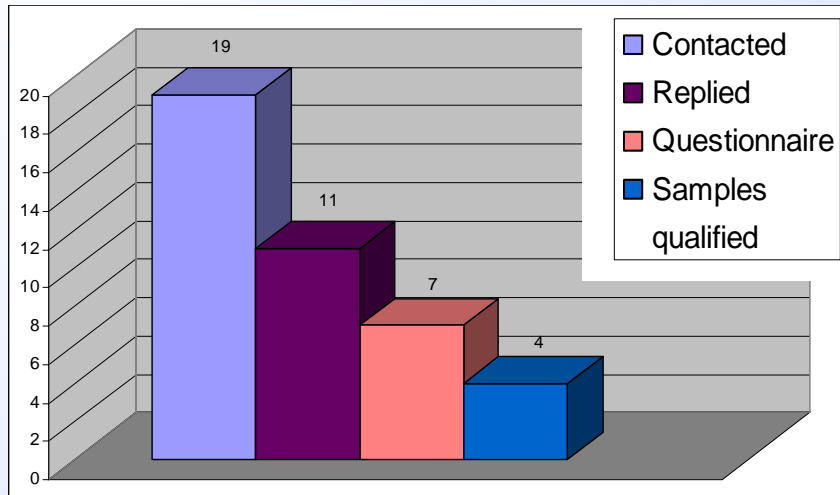
 Receiver Modules

 Optical Cables

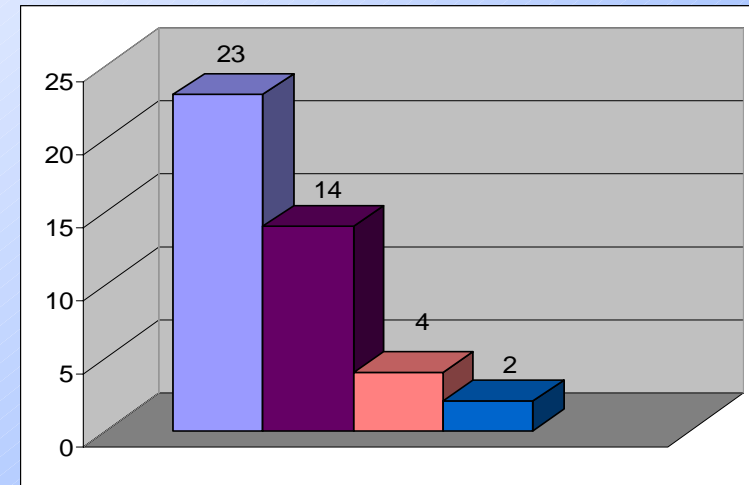


# Manufacturer Qualification (2)

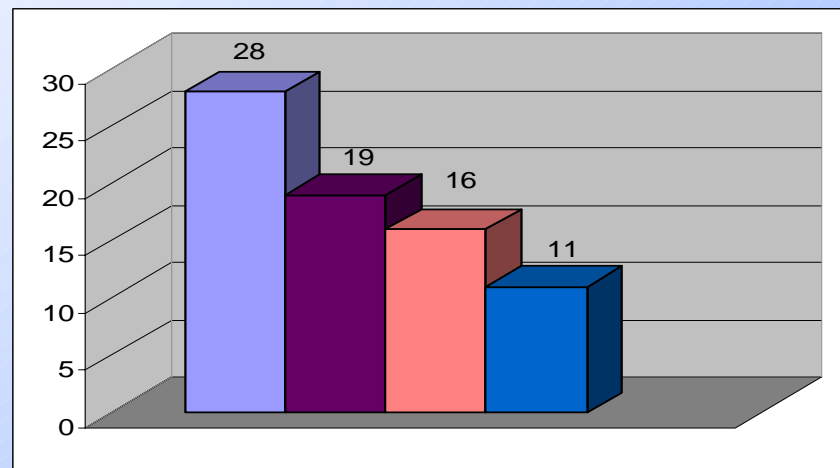
## Lasers



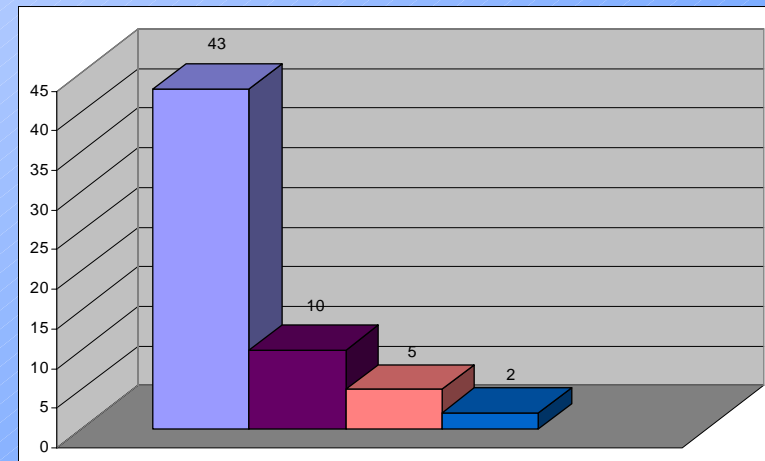
## Cables



## Connectors

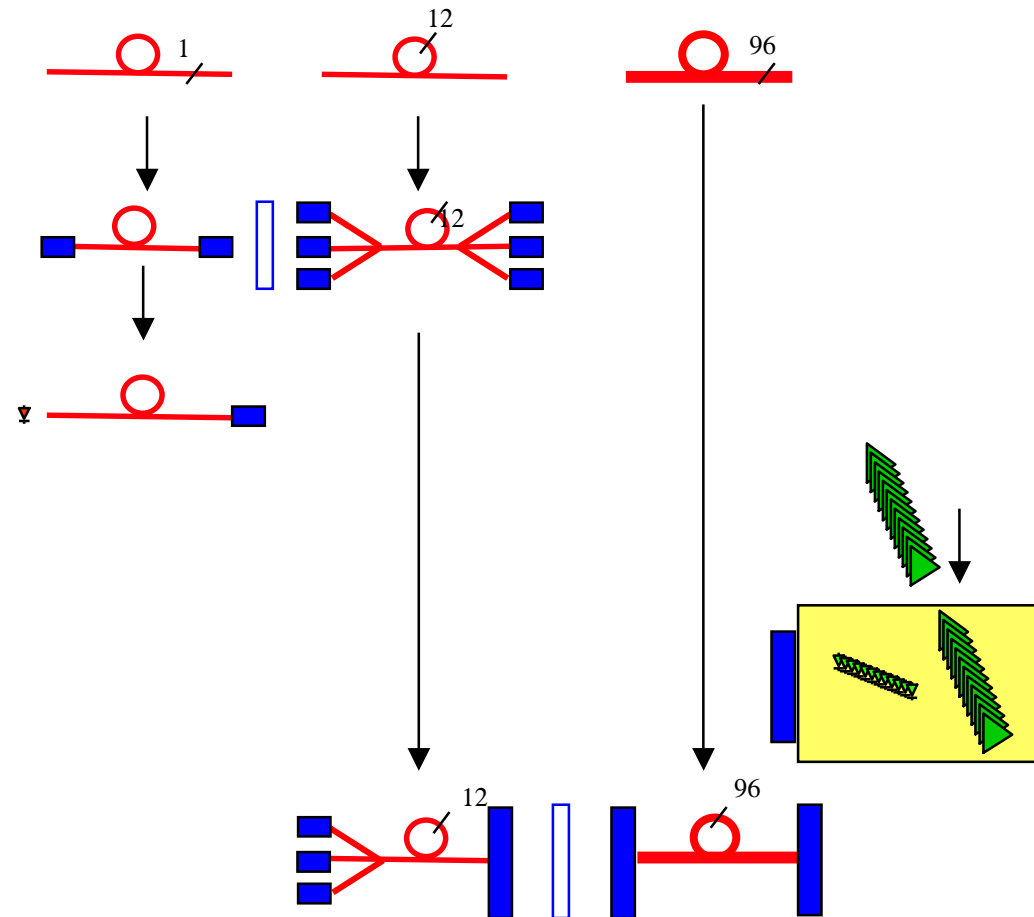


## Rx-Modules



# Procurement Strategy

- 2811 Fibre, Ribbon, Cable
- 2691A MU-based assemblies
- 2690 Semiconductor Lasers
- 12-way ARx ASIC
- 2810 12-way Analog RxModules
- 2691B 12x-based assemblies



# Tendering Status

		MS	IT	Contract	ROM MCHF
2811	Fibre/cables	Mar-00	Nov-00		<1
2691-A	1x Connectors	Jun-99	Mar-01		>1
2690	Lasers	Apr-99	May-01		>1
	ARx ASIC		May-01		<1
2810	Rx modules	Jun-00			>1
2691-B	12x Connectors	Jun-99			<1
					10.00

Complete	
On-going	
Started	