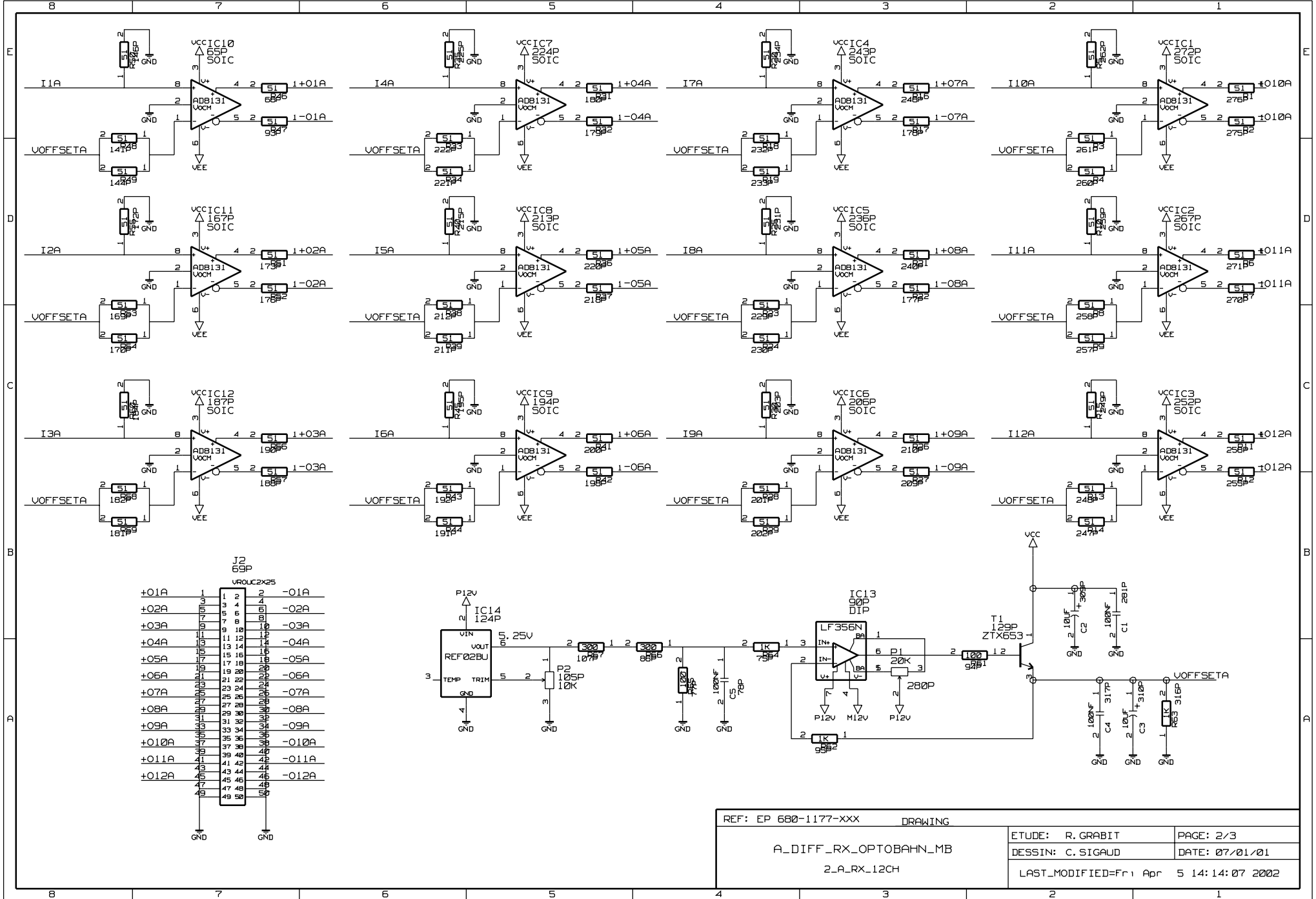


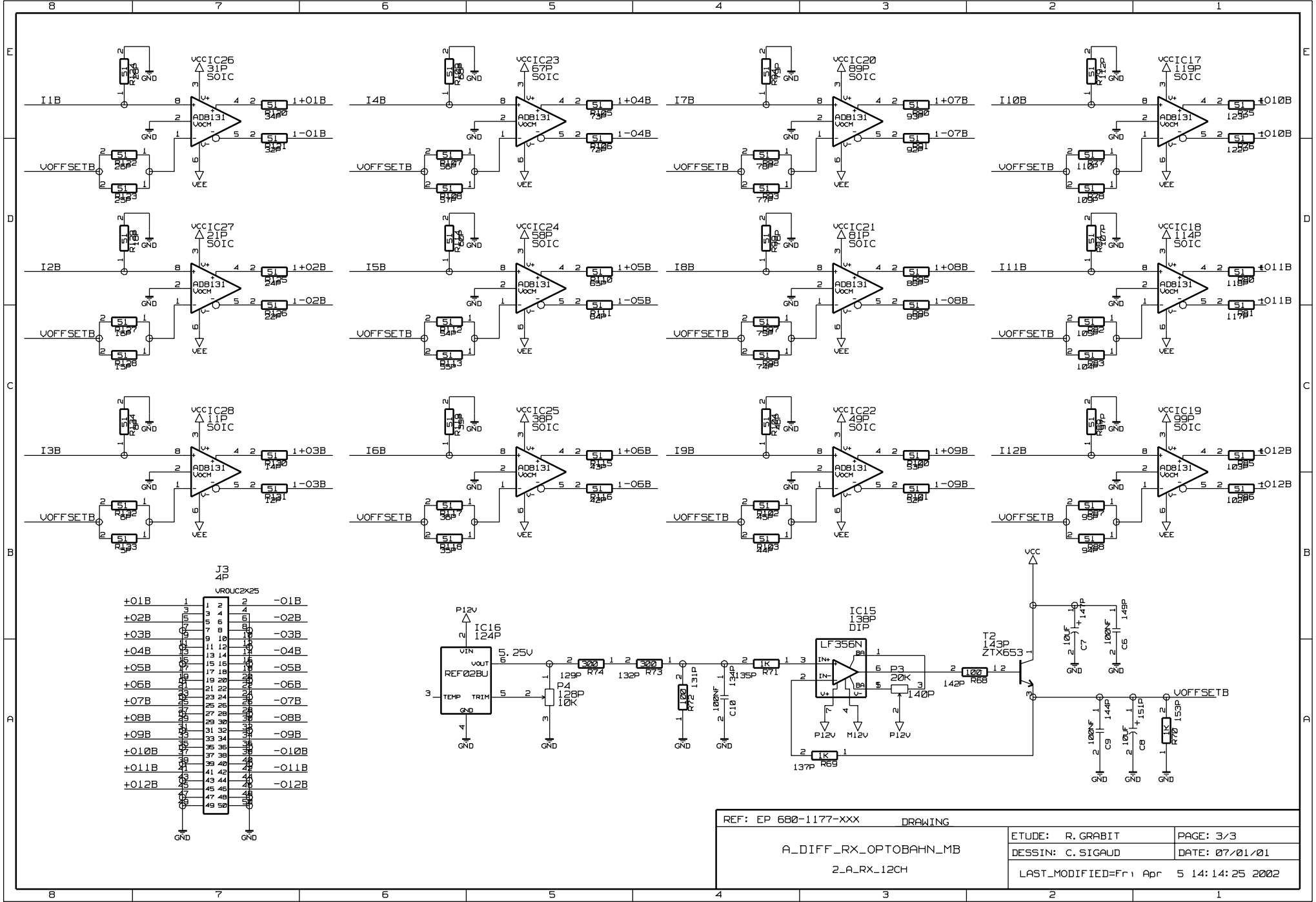
REF:EP 680-1177-XXX	DRAWING	ETUDE: R.GRABIT	PAGE: 1/3
A_DIFF_RX_OPTOBAHN_MB		DESSIN: C.SIGAUD	DATE: 07/01/01
2_A_RX_12CH		LAST_MODIFIED=Fri Apr 5 14:13:48 2002	

NAME=A\_DIFF\_RX\_OPTOBAHN\_MOTHER\_BOARD SCHEMATICS  
 PCB=EP 680-1177-350  
 VER=1  
 REF=335564  
 SYS=CADENCE 97A



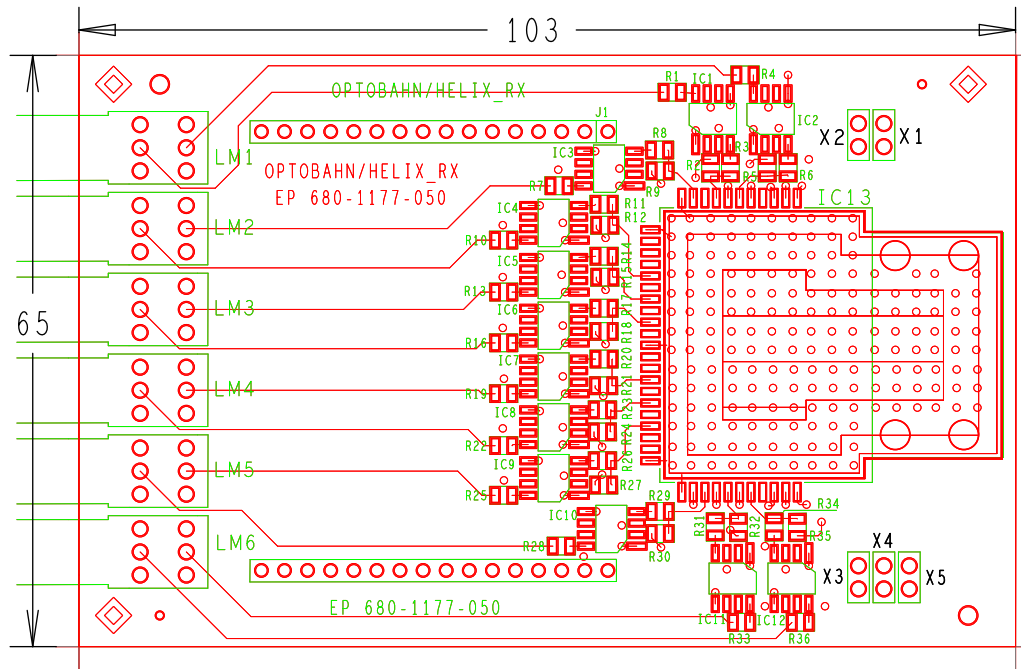
REF: EP 680-1177-XXX	DRAWING	ETUDE: R.GRABIT	PAGE: 2/3
A_DIFF_RX_OPTOBANH_MB		DESSIN: C.SIGAUD	DATE: 07/01/01
2_A_RX_12CH		LAST_MODIFIED=Fri Apr 5 14:14:07 2002	

NAME=A\_DIFF\_RX\_OPTOBANH\_MOTHER\_BOARD SCHEMATICS  
 PCB=EP 680-1177-350  
 VER=1  
 REF=335564  
 SYS=CADENCE 97A



NAME=A\_DIFF\_RX\_OPTOBAHN\_MOTHER\_BOARD SCHEMATICS  
 PCB=EP 680-1177-350  
 VER=1  
 REF=335564  
 SYS=CADENCE 97A





EP/PES

EP 680-1177-050		INDICE	-
DESS	STRINDEL PV	NBRE DE COUCHE	: 4
DATE	06/12/2000	EP. DU CUIVRE	: 35u
		EP. DU CIRCUIT	: 16/10e
		MATIERE DU CI	: EPOXY

EAQBEC@NR03ANTSSOUDURE C-SIDE  
SERIGRAPHIE C-SIDE  
D. S. DELOT DE PATE C SIDE

1